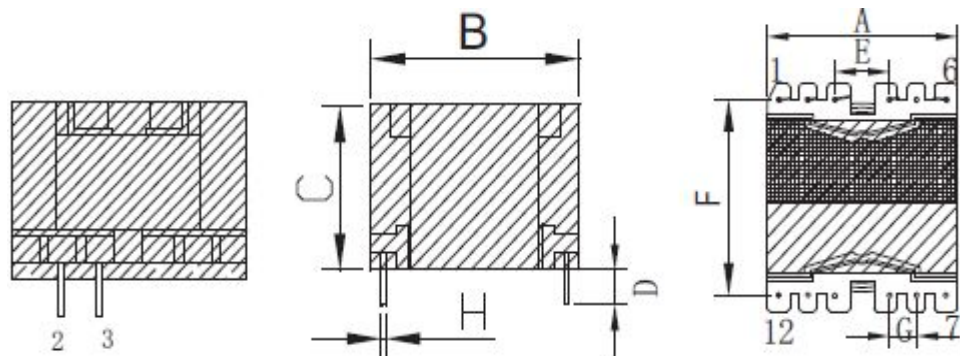


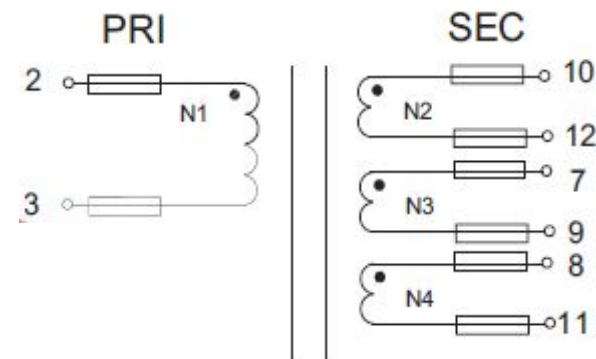
CUSTOMER TERMINAL	ROHS	Lead(Pb)-free
	YES	YES

## 1. Mechanical Dimensions



A	35.0	MAX
B	35.0	MAX
C	26.5	MAX
D	3.5	±0.5
E	7.4	±0.3
F	30.0	±0.4
G	5.0	±0.3
H	0.80	±0.1

## 2. Schematic Diagram



## 3. Material List

Core:FW44 PQ3225

Bobbin:FWB3202-1(6+6PIN)

Wire: TIW LITZ

Operating Temperature: -30 to115 °C

## 4. Electrical Specification

Inductance :  $L(2-3):1.5mH \pm 5\%$  40KHZ , 1.0V

Leakage Inductance : 39uH MAX 40KHZ , 1.0V

DCR : (2-3)=0.562Ω MAX (7-9)=37.8mΩ MAX

Hi-Pot:P-S: AC 60Hz 4000V 1mA 3S

P-CORE: AC 60Hz 4000V 1mA 3S

REV.	DATE	<p>Convention Placement</p>	DRW.		Drawing Title:	Part No:
0	00/00		CHK.			
ROHS			<a href="http://www.ferriwo.com">www.ferriwo.com</a>	APP.		Customer P/N